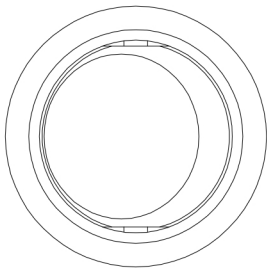
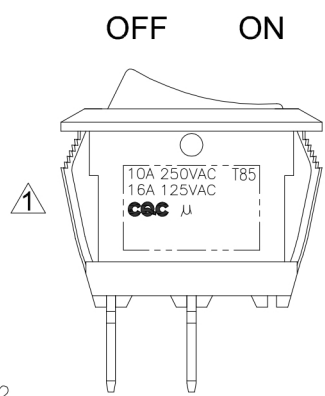
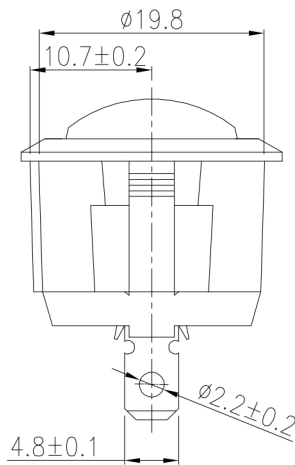
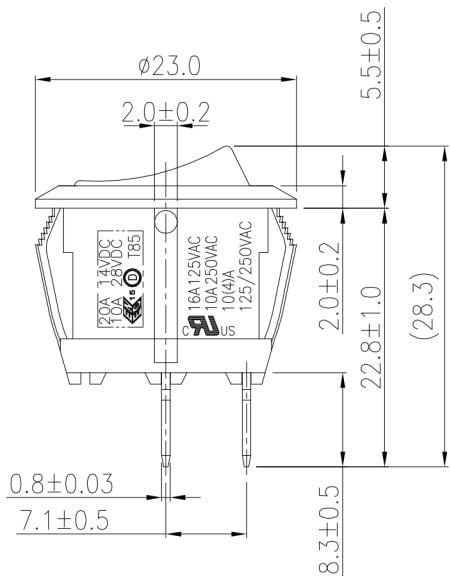
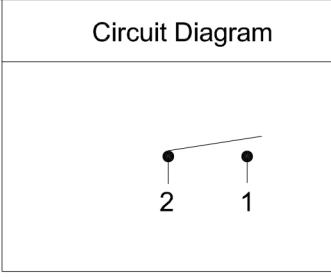


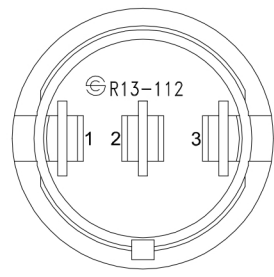
Rating	16A 125VAC, 10A 250VAC		<div style="text-align: center;"> Mounting Hole </div>
	10(4)A 125/250VAC 20A 14VDC, 10A 28VDC	T85	
	10A 250VAC 16A 125VAC	T85 μ	
Contact Resistance	50m ohm Max.		
Insulation Resistance	DC 500V 100M ohm Min.		
Dielectric Strength	AC 1500V 1 minute		
Operation Temperature	-25°C~85°C		
Switch Function	2P SPST ON-OFF		



- *MATERIAL-Frame: Nylon 66
- Actuator: Nylon 66
- Terminals: C1100
- Contacts: AgSnO2InO3
- *Snap-in mounting, easy to install Switch into Panel.
- *.Black body, Black rocker.



7500020



Tolerances ±0.3 Unless Otherwise Specified